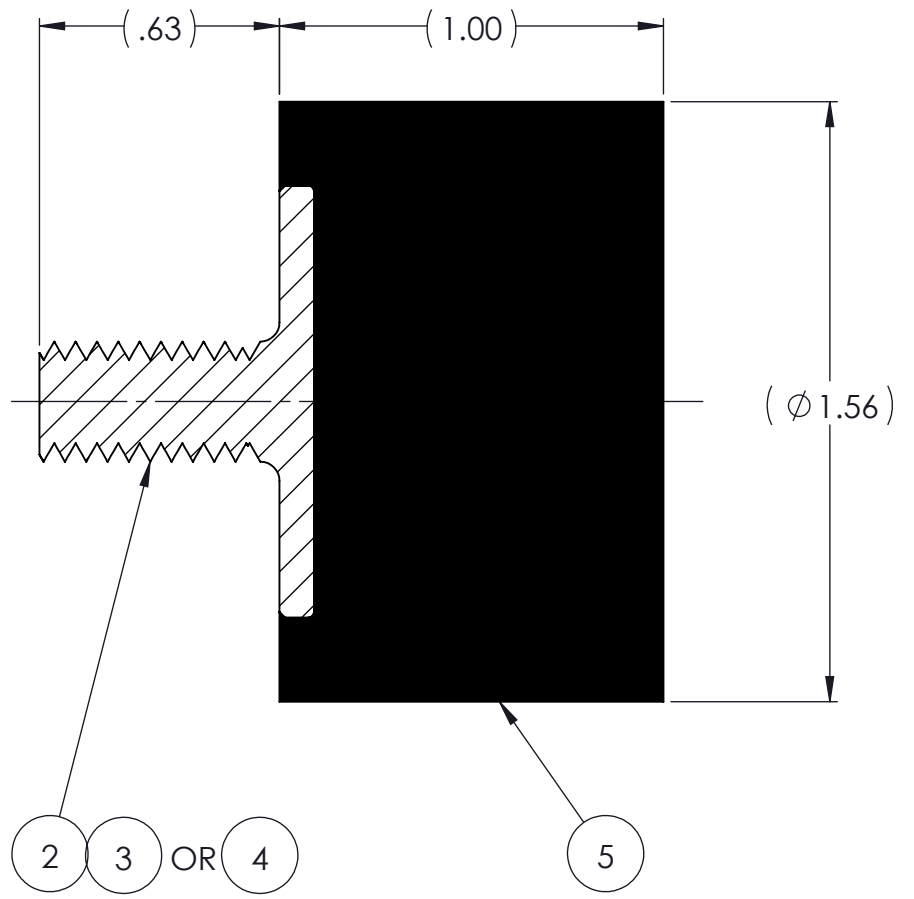
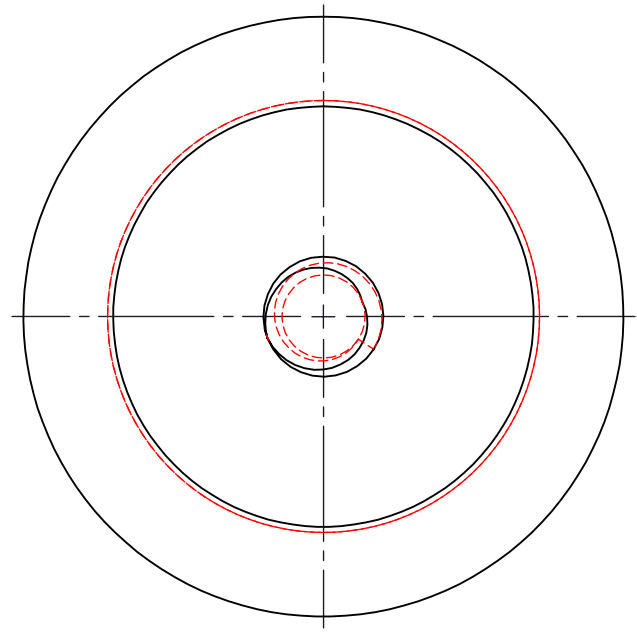
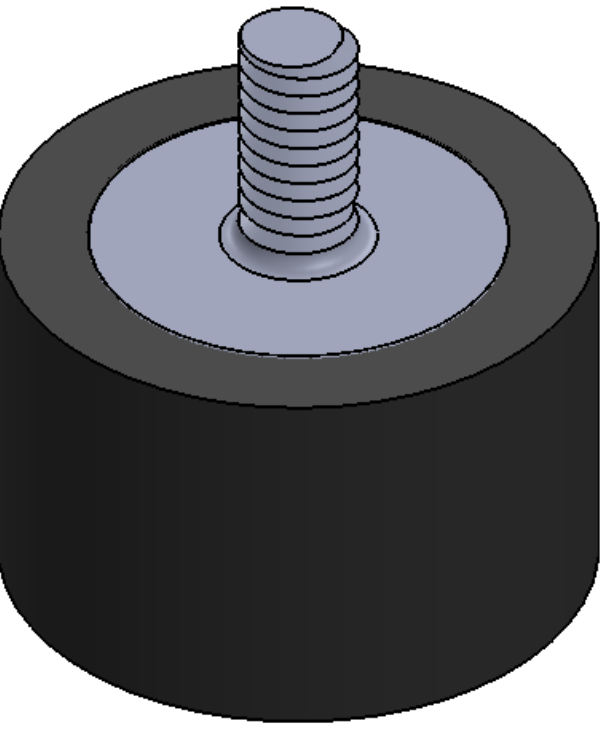


REVISIONS			
REV.	DESCRIPTION	DATE	APPROVED
1	INITIAL RELEASE OF DRAWING	8/11/2014	BS



- NOTES:
- 1 MATERIAL: ELASTOMER AND DUROMETER OF 40, 50, 60 OR 70 TO BE SPECIFIED.
  - 2 ALL DIMENSIONS ARE REFERENCE.
  - 3 AVAILABLE WITH THREADS OF 5/16-18 UNC X 5/8", 5/16-24 UNF X 5/8", AND M8 X 1.25 X 5/8".

QTY.	DESCRIPTION	PART NUMBER	MATERIAL OR NOTES	ITEM
AR	ELASTOMER	K136-5		5
1	MK430-M8-5/8	MK430-M8-5/8		4
1	MK430-HC	MK430-HC		3
1	MK430-CC	MK430-CC		2
	K136	K136		1

PROPRIETARY AND CONFIDENTIAL THE INFORMATION CONTAINED IN THIS DRAWING IS THE SOLE PROPERTY OF KARMAN RUBBER. ANY REPRODUCTION IN PART OR AS A WHOLE WITHOUT THE WRITTEN PERMISSION OF KARMAN RUBBER IS PROHIBITED.	SIGNATURE		DATE
	DRAWN	B. SENEAL	08/11/2014
	CHECK	S. BROWN	08/11/2014
	ENGR	B. SENEAL	08/11/2014
	QA		
STRESS			
APPR			

UNLESS OTHERWISE SPECIFIED:  
DIMENSIONS ARE IN INCHES  
TOLERANCES:  
.X = ± 0.031  
.XXX = ± 1°  
INTERPRET GEOMETRIC TOLERANCING PER: ASME Y14.5M-1994



TITLE: **K136 SERIES VIBRO-INSULATOR**  
WWW.KARMAN.COM

SIZE	CAGE CODE	DWG. NO.	REV
<b>B</b>		<b>K136</b>	<b>1</b>
DO NOT SCALE DRAWING		SCALE: 2:1	WEIGHT: 2.15 OZ. SHEET 1 OF 1